



R	1	2, 3, 4,	5,	6, 7	8,	9, 10, 11,	12, 13	14,	15,	16,	17,	18,	19, 20, 21,	22,	23,	24, 27, 26, 25,	28,	29, 37,	31,	32,	33,	34,	35,	R
S					8															3, 3', 4, 4',	1', 2, 2',	5, 5,	6, 6,	S
C			1, 3,	2,		4,		5, 6,	7,		8,	9,	10, 11, 12,		13,	14,	15, 21, 22,	16,		17,	18,			C
Sch		0, 21, 22, 24,					1, 2, 3, 30, 31, 28, 29, 4, 5, 6, 7,					32, 33, 34, 35,			0, 9, 10, 11, 15, 16, 26, 27,				0, 18, 19, 38, 39,	0, 14,		36, 3,	Sch	

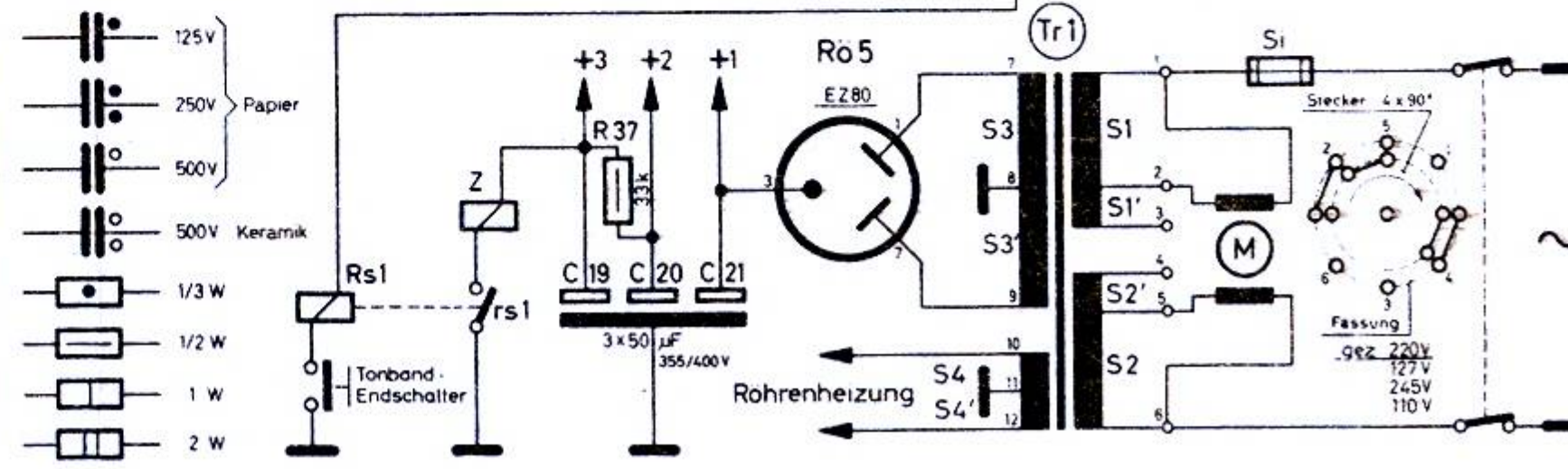
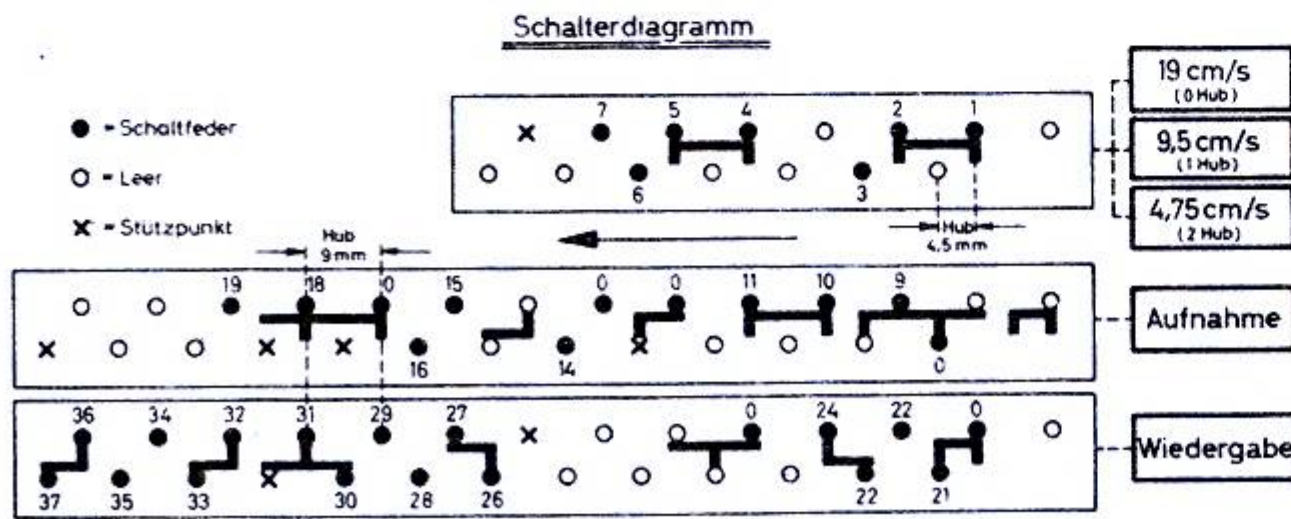
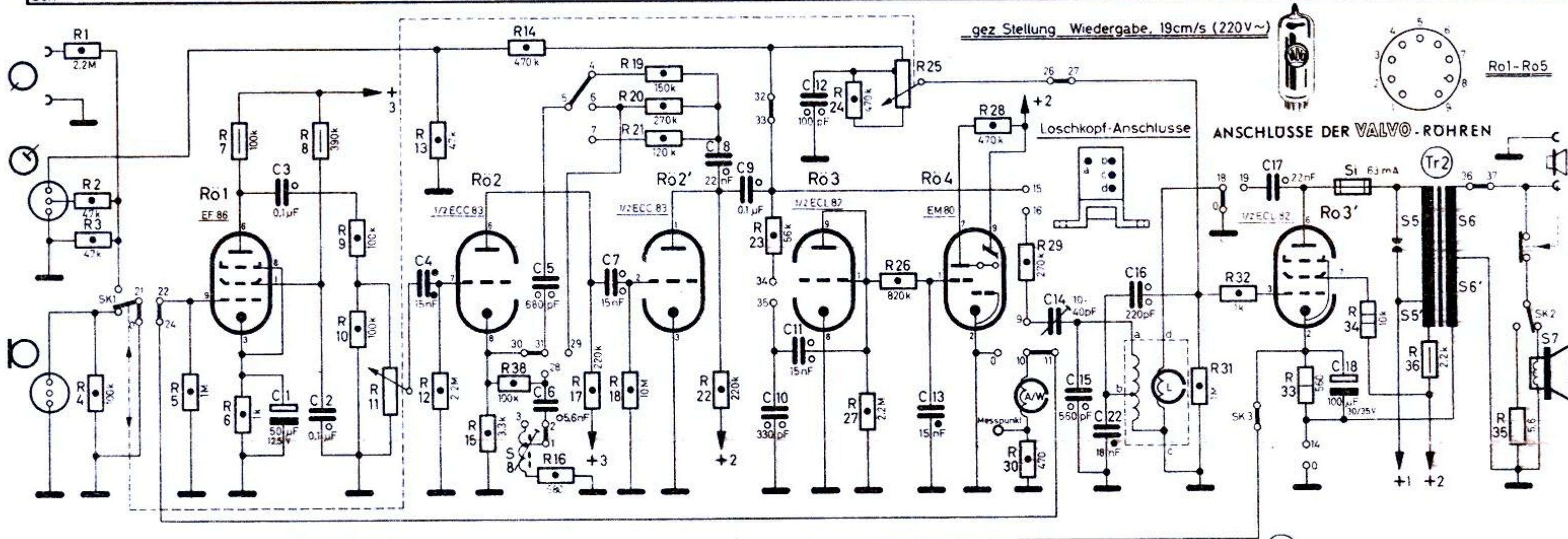


Bild 5